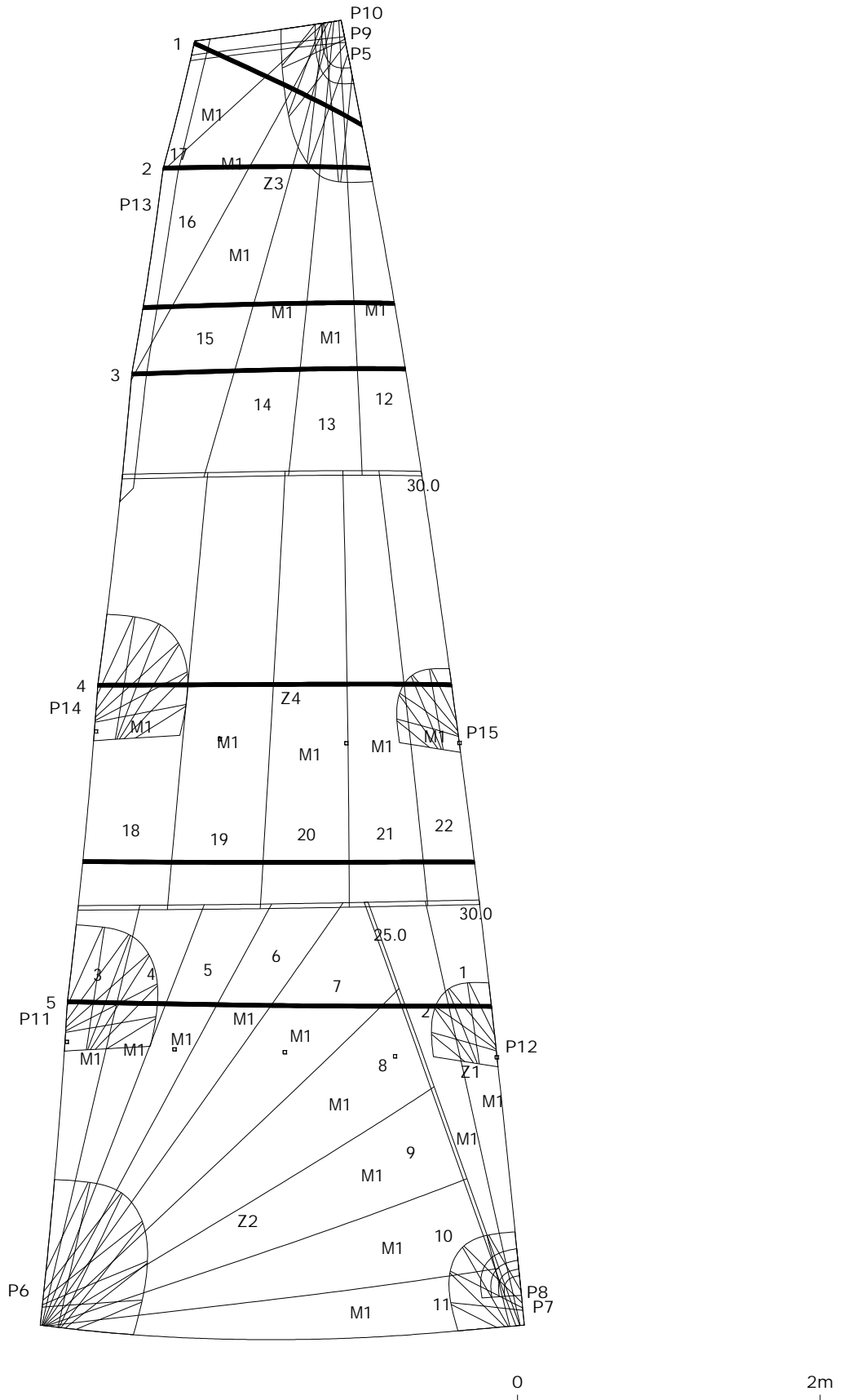
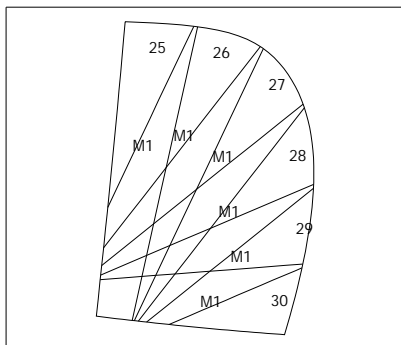


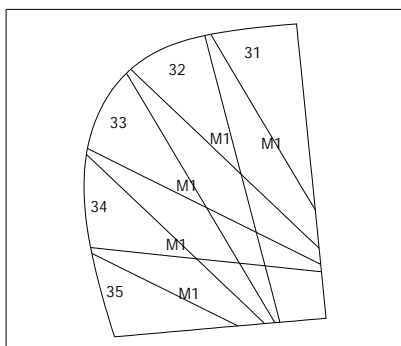
# Panel layout



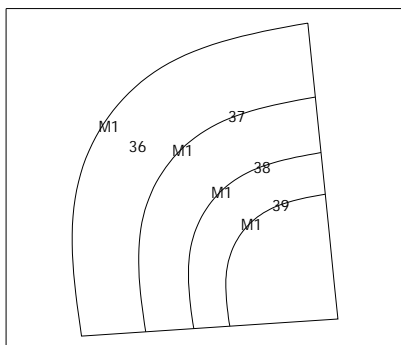
## Patch layout



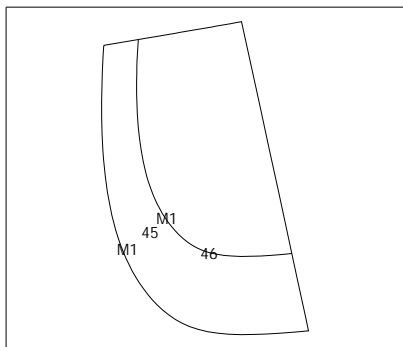
P6



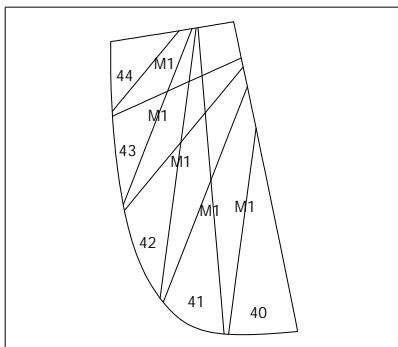
P7



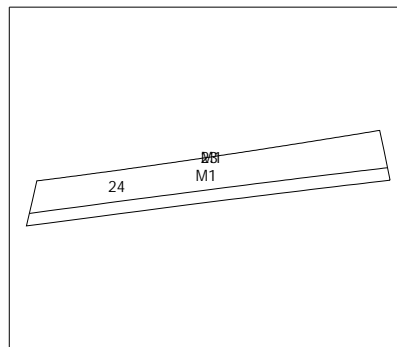
P8



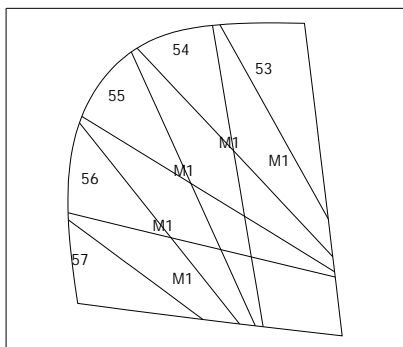
P10



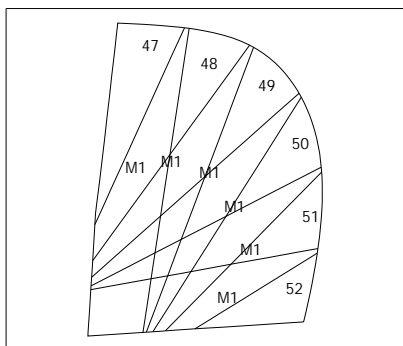
P9



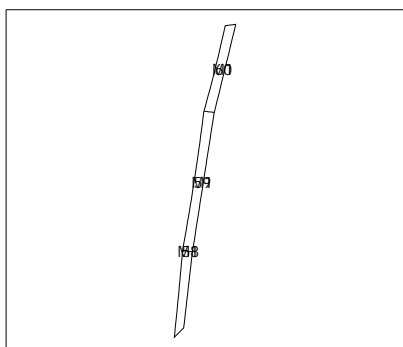
P5



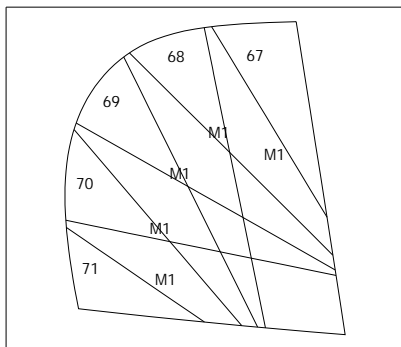
P12



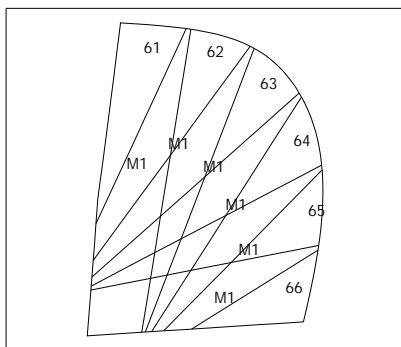
P11



P13



P15



P14



Date: 3/30/2019  
 Designer:  
 Company:  
 Filename: N19254B.pak

**Sail: MAINSAIL**  
**Boat: BULL 7000**  
**Customer: NEPTUNE**  
 Order Ref.:

## Measurement Check List

### Measurement rules Ref.: MAIN ORC

[Luff] = 8.704 m    [Head] = 1.007 m    Area = 20.169 m<sup>2</sup>    Ratio = 2.72    [GeoFoot] = 3.204 m    [Leech  
 Géo] = 8.894 m    [MGL] = 2.835 m    [MGM] = 2.357 m    [MGT] = 1.223 m    [MGU] = 1.707 m    MGM% =  
 73.41 %    MGU% = 53.16    ORC Area = 19.45

**Angles** (Flat on the floor)    Clew: 91.59 °    Tack: 89.80 °    Head Fwd : 93.52 °    Head Aft : 113.34 °

### Roach (After broadseaming)

	1/8	2/8	3/8	4/8	5/8	6/8	7/8
Luff	33.6 mm	63.2 mm	82.0 mm	90.2 mm	90.0 mm	77.7 mm	46.3 mm
Leech	31.6 mm	56.5 mm	78.4 mm	100.5 mm	120.3 mm	131.9 mm	112.4 mm

### Reef, Battens, Shape stripes

	Luff (m) (ref: tack)	Leech (m) (ref: clew)	Length (m)	Width (m)
Reef	1.715	1.827	2.936	
Reef	3.806	3.891	2.524	
Batten	8.000	8.557	1.262	0.025
Batten	7.710	7.704	1.417	0.025
Batten	6.363	6.325	1.888	0.025
Batten	4.255	4.259	2.432	0.025
Batten	2.116	2.154	2.870	0.025
Shape Stripe	3.075	3.089	2.673	0.025
Shape Stripe	6.802	6.772	1.732	0.025

### Area & Weight

Sail area: 20.06 m<sup>2</sup>    Material area: 26.93 m<sup>2</sup>    Material weight: ???    Total weight: ???

### Materials

Material's ID	Material's ref. (&color)	Area (m <sup>2</sup> )	Mass (gr)	Panels
M1	265SQ_MT	26.925		1-71

### Seam width

Seam width (mm)	Zones; Total length (m)
30.0	Zone-seams: 1; 3; TOTAL: 4.8m
25.0	Zone-seams: 2; TOTAL: 3.0m
15.0	Zones: Z1...Z4; TOTAL: 52.6m

### Sail outline finishings

Hemmings: None

Outline drawings: None

### Notes